



# NU 218 ECP

- Popular item  
- SKF Explorer

## Cylindrical roller bearings, single row

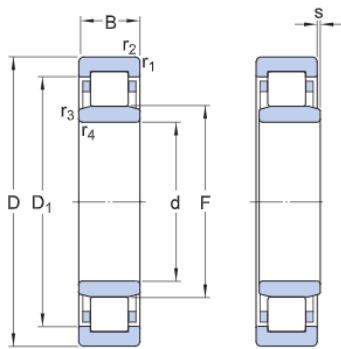
### Bearing data

[Tolerances](#),  
Normal (metric), P6, Normal (inch),  
[Radial internal clearance](#),  
cylindrical bore, tapered bore,  
[Axial internal clearance](#),  
NUP, NJ + HJ

### Bearing interfaces

[Seat tolerances for standard conditions](#),  
[Tolerances and resultant fit](#)

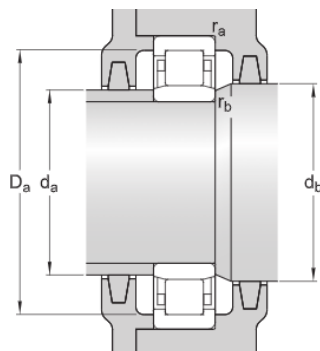
## Technical specification



### DIMENSIONS

d	90 mm	Bore diameter
D	160 mm	Outside diameter
B	30 mm	Width
D1	≈138.45 mm	Shoulder diameter of outer ring
F	107 mm	Chamfer dimension of loose flange ring
r1,2	min.2 mm	Chamfer dimension
r3,4	min.2 mm	Chamfer dimension
s	max.1.8 mm	Permissible axial displacement

### ABUTMENT DIMENSIONS



da	min.101 mm	Diameter of spacer sleeve
da	max.104 mm	Diameter of spacer sleeve
db	min.110 mm	Diameter of shaft abutment
Da	max.149 mm	Diameter of housing abutment
	max.2	Radius of

ra	mm	fillet
rb	max.2 mm	Radius of fillet

## CALCULATION DATA

Basic dynamic load rating	C	208 kN
Basic static load rating	C <sub>0</sub>	220 kN
Fatigue load limit	P <sub>u</sub>	27 kN
Reference speed		4 500 r/min
Limiting speed		5 000 r/min
Minimum load factor	k <sub>r</sub>	0.15
Limiting value	e	0.2
Axial load factor	Y	0.6

## MASS

Mass		2.28 kg
------	--	---------

## ASSOCIATED PRODUCTS

Angle ring		HJ 218 EC
------------	--	-----------